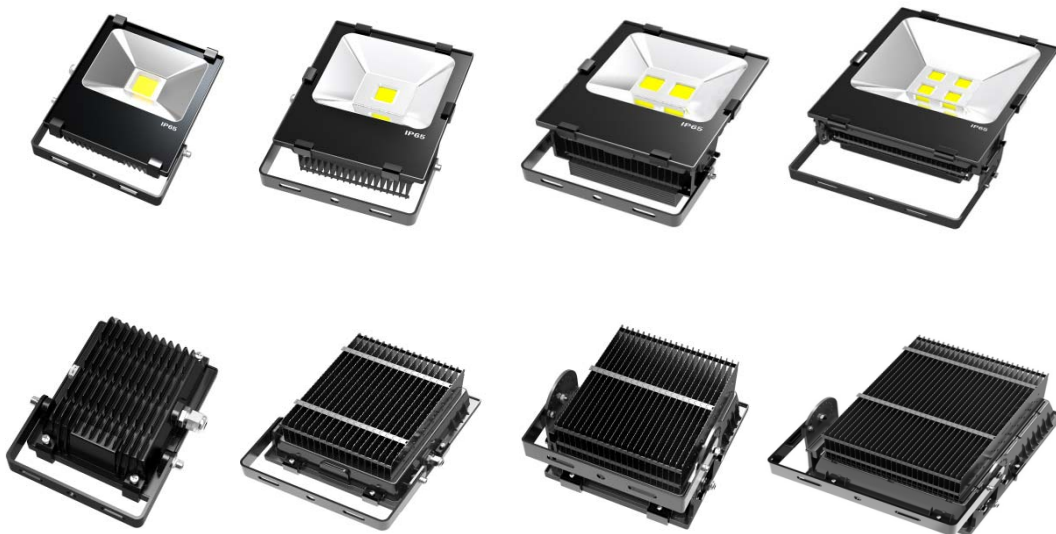


Fins-style heatsink LED Flood light



Features and Advantages:

1. 80% energy saving, completed lamp can work up to 5000hrs, optical performance is much better than traditional metal halide light.
2. Creative Fins-style die-casting alluminum housing design, perfect efficient heat release;
3. 4mm high strength tempered glass protecting the luminaire , 93% transparent rate;
4. Entire housing coated by electrophoretic paint, surface with anti-static spray, excellent corrosion resistance;
5. Respirator design, balance the pressure in and out
6. Up to 180° wide adjustment angle
7. IP65 ingress protection for outdoor application

LED has proved to be the trend of next generation lighting for its environment-friendly, energy-saving, light efficiency, reliability. Plus innovative LED heatsinks with the powerful heat dissipation capability and reliability greatly extend the LED lighting's lifespan, thus remarkable reduce the expense of lighting operation and maintenance.



01 Product Features

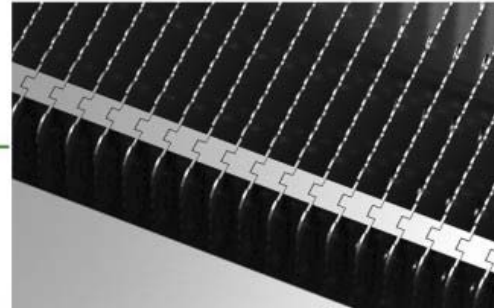
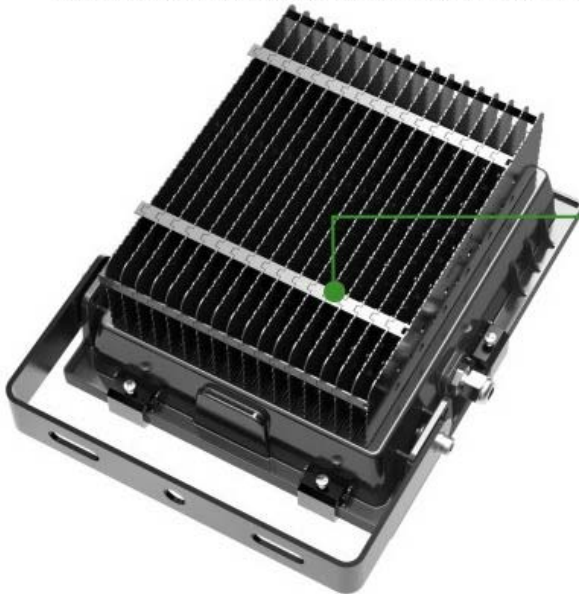
1. By using the most powerful and efficient flood light heatsink, the completed LED light can work up to 50000 hours, save up to 80% energy, have better lighting characteristics than that of traditional metal halide lamp of 200w;
2. Massive fins for efficient cooling technology, rapidly transfer the heat of the LED chips to the massive fins;
3. Protection rate: IP65.

02 Materials And Process

1. Tempered glass panel to protect the lighting source, the transparent rate up to 93%;
2. 1060 aluminium heatsink with "zipped-fins" technology, optimized airflow duct inside the housing;
3. The entire housing coated by electrophoretic paint, excellent corrosion resistance;
4. Stainless steel screws and parts.

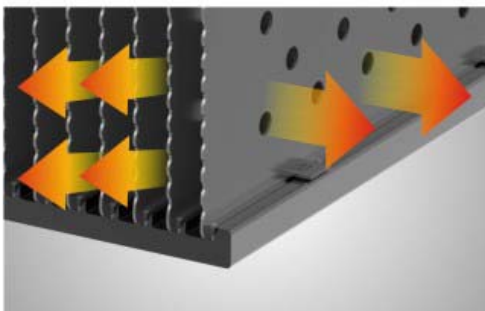
03 THE INNOVATIVE COOLING FINS STANDING THE COOLING FRONTIER

Innovative cooling fins with light weight but massive cooling dissipation area, which tightly connected to the die-cast heatsink. constitute a integrated cooling housing.



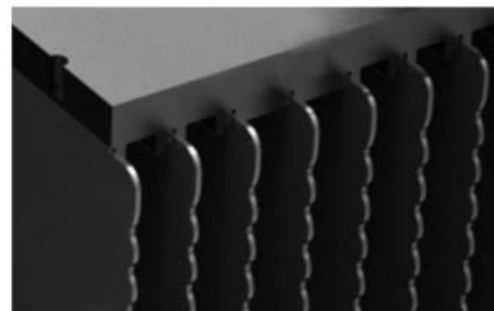
Patented zipped-fins technology

With zipped-fins technology, the convection airflow is evenly distributed in the cooling fins, optimizing the cooling effect.



3-Dimension heat dissipation

There are convection holes distributed on each fins allowing parallel direction airflow to maximum the cooling power.



Gear slotting fin technology

The fins couple into the base of the heatsink tightly, minimum the heat transfer resistance.

04 INNOVATIONS



Respirator design

Balance the different pressure between the atmosphere and the shell, it is water proof also defog and avoiding the drop condensation, reducing the inside salt corrosion and extend the product lifespan.

05 EXCELLENT PERFORMANCE STRONG PROTECTION



Protection rate: IP65

By using water-proof connector and silicon rubber sealing, the protection rate can achieve IP65, meeting the requirement for harsh, tough environment.



The entire housing coated by electrochromic paint

Processed by electrochromic paint, measured by 200 hours salt spray test, the entire housing has excellent corrosion resistance.



Wide angel for adjustment

With multiple adjustment points, the adjustment angel can be up to 180°.



Pure aluminium reflector

The reflector is made of pure aluminium(99.8%) which anti-oxidation and unfading in colour, ensuring the reflection.



Tempered glass panel

4mm tempered glass panel safely protect the lighting source, and the transparent rate is up to 93%.



Stainless steel parts

Endurancing the corrosion of air, water, chemical acid, alkaline,salt and other materials, can be used in all kinds of harsh conditions for long term.

06 Applications

LED flood light is widely used in shopping center, exhibition hall, parking lot, stadium, gymnasium, billboard, park, statue, government lighting decoration project, landmark or building, public square and passage, building connecting passage,and other indoor or outdoor light applications.



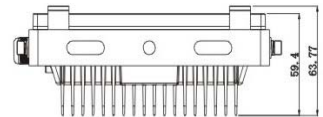
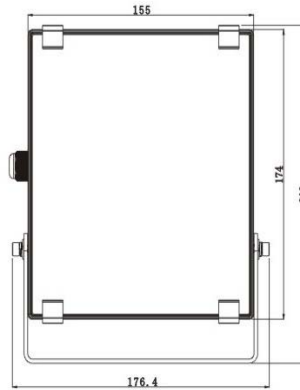
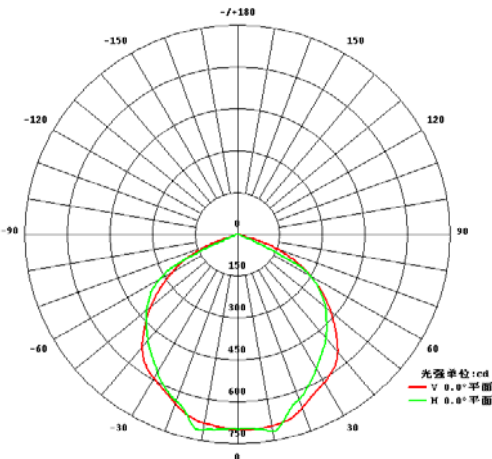
HT-FL-A20W 20W LED FLOOD LIGHT

Technical Specifications:

model	LED Type	LED Q'ty (pcs)	Color	Voltage (V)	Beam Angle	Wattage (W)	Luminosity (lm)	CRI(Ra)	IP Rate	Infrared Sensor
HT-FL-A20W	COB	1	CW	90~130 Or 180~260	120° /60°	20±1.0	1950	75	IP65	Optional
	COB	1	WW	90~130 Or 180~260	120° /60°	20±1.0	1820	75	IP65	Optional

Remark:

1. Color Specification: CW: Cool white 5500-6500K, WW: Warm white 3000-3500K;
2. Luminosity is based on the condition of $T_a < 25^\circ\text{C}$ with the tolerance of $\pm 15\%$.

Product Photo and Drawing:

Optical Parameters (120° type)


Distance(m)	Avg./Max. E(lux)	Diameter(m)
1	167.6/700.2LX	0.346M
2	41.90/175.0LX	0.693M
3	18.62/77.80LX	1.039M
4	10.48/43.76LX	1.385M
5	6.705/28.01LX	1.732M

Application Notice:

1. Working Temperature: -55°C - 110°C
2. Storage Temperature: -25°C - 65°C
3. Best Working Temperature: 0 - 40°C

Packing Details:

1. Inner box size: 23.2*17.6*6.8cm
2. Outer ctn size: 48*37*38cm
3. Q'ty per ctn: 20pcs
4. G.W per ctn: 50kg

HT-FL-A30W 30W LED FLOOD LIGHT

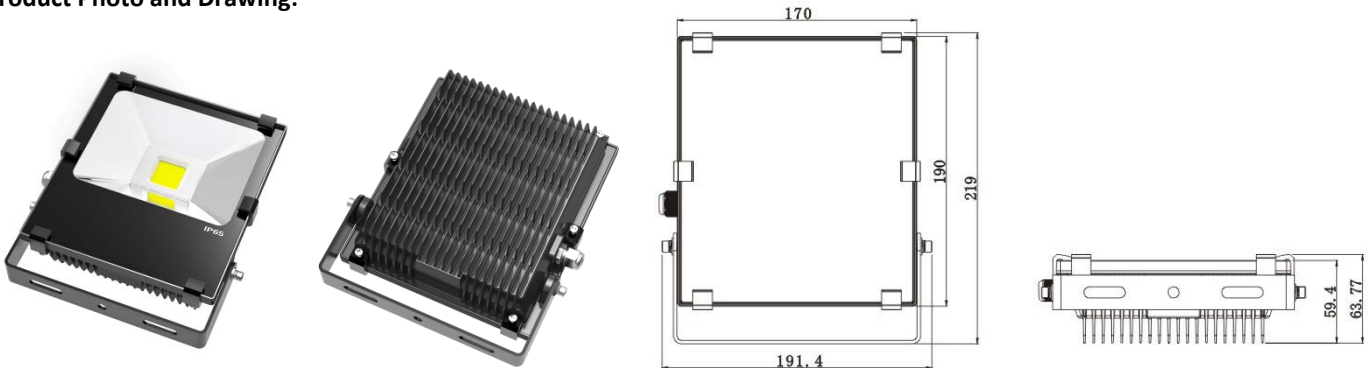
Technical Specifications:

model	LED Type	LED Q'ty (pcs)	Color	Voltage (V)	Beam Angle	Wattage (W)	Luminosity (lm)	CRI(Ra)	IP Rate	Infrared Sensor
HT-FL-A30W	COB	1	CW	90~130 Or 180~260	120° /60°	20±1.0	3060	75	IP65	Optional
	COB	1	WW	90~130 Or 180~260	120° /60°	20±1.0	2878	75	IP65	Optional

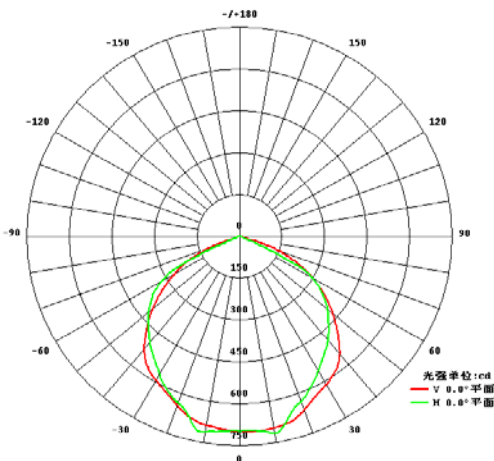
Remark:

- Color Specification: CW: Cool white 5500-6500K, WW: Warm white 3000-3500K;
- Luminosity is based on the condition of Ta<25°C with the tolerance of ±15%.

Product Photo and Drawing:



Optical Parameters (120° type)



Distance(m)	Avg./Max. E(lux)	Diameter(m)
1	282.4/1200LX	0.346M
2	70.61/300.1LX	0.693M
3	31.38/133.4LX	1.039M
4	17.65/75.03LX	1.385M
5	11.30/48.02LX	1.732M

Application Notice:

- Working Temperature: -55°C-110°C
- Storage Temperature: -25°C-65°C
- Best Working Temperature: 0-40°C

Packing Details:

- Inner box size: 24.8*19.4*6.8cm
- Outer ctn size: 51*40.5*38cm
- Q'ty per ctn: 20pcs
- G.W per ctn: 55kg



HT-FL-A50W 50W LED FLOOD LIGHT

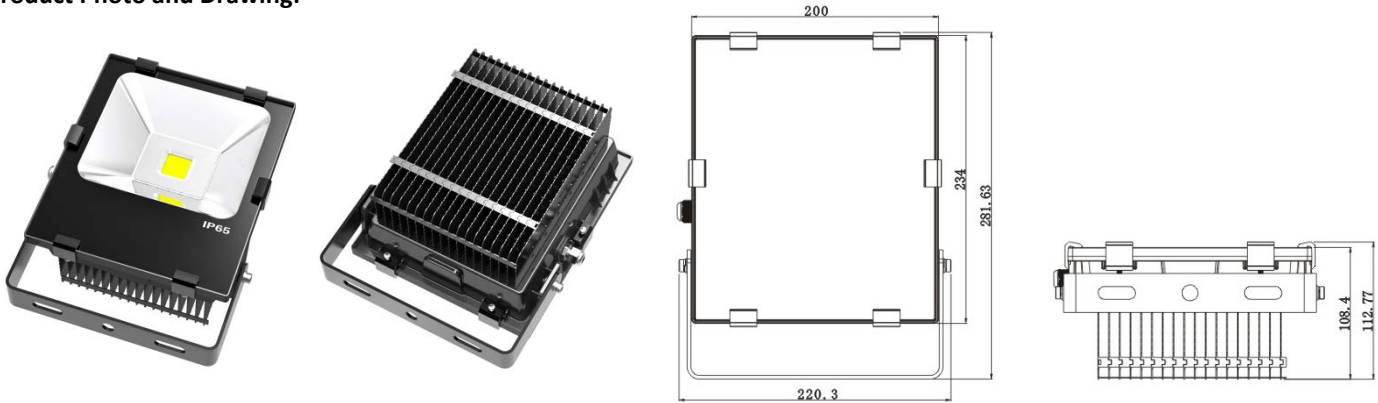
Technical Specifications:

model	LED Type	LED Q'ty (pcs)	Color	Voltage (V)	Beam Angle	Wattage (W)	Luminosity (lm)	CRI(Ra)	IP Rate	Infrared Sensor
HT-FL-A50W	COB	1	CW	90~130 Or 180~260	120° /60°	20±1.0	5120	75	IP65	Optional
	COB	1	WW	90~130 Or 180~260	120° /60°	20±1.0	4886	75	IP65	Optional

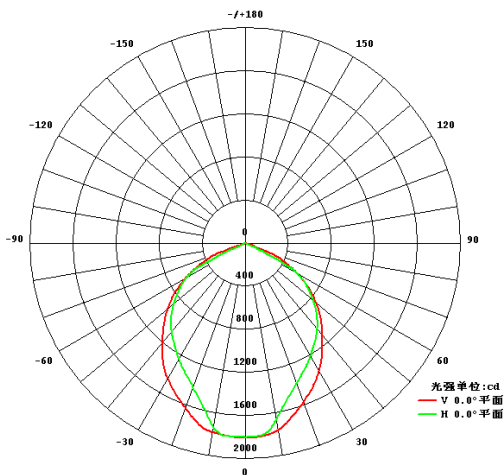
Remark:

1. Color Specification: CW: Cool white 5500-6500K, WW: Warm white 3000-3500K;
2. Luminosity is based on the condition of Ta<25°C with the tolerance of ±15%.

Product Photo and Drawing:



Optical Parameters (120° type)



Distance(m)	Avg./Max. E(lux)	Diameter(m)
1	365.6/1808LX	0.346M
2	91.39/452.0LX	0.693M
3	40.62/200.9LX	1.039M
4	22.85/113.0LX	1.385M
5	14.62/72.31LX	1.732M

Application Notice:

1. Working Temperature: -55°C-110°C
2. Storage Temperature: -25°C-65°C
3. Best Working Temperature: 0-40°C

Packing Details:

1. Inner box size: 30.5*20.7*19.5cm
2. Outer ctn size: 51*40.5*38cm
3. Q'ty per ctn: 20pcs
4. G.W per ctn: 55kg

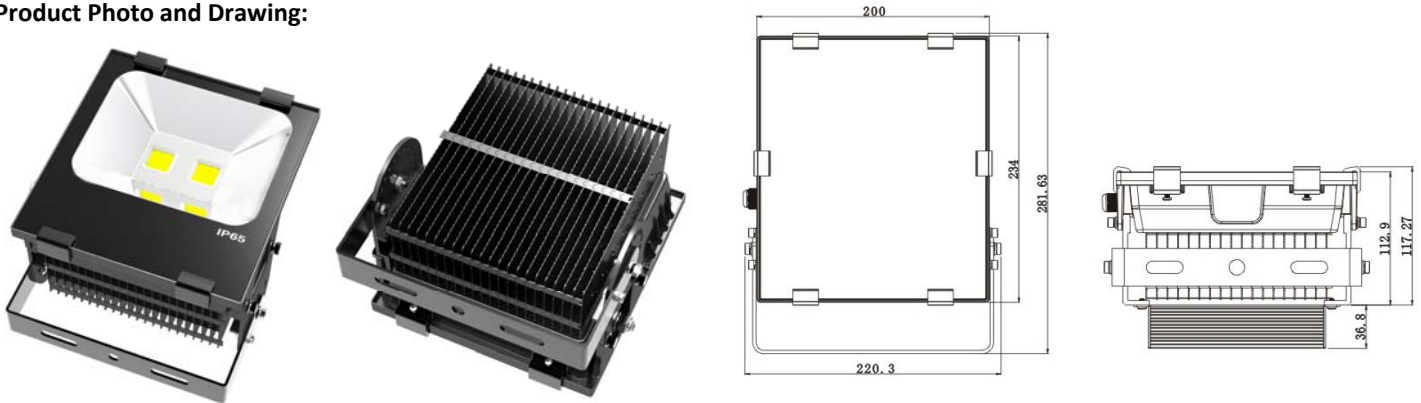
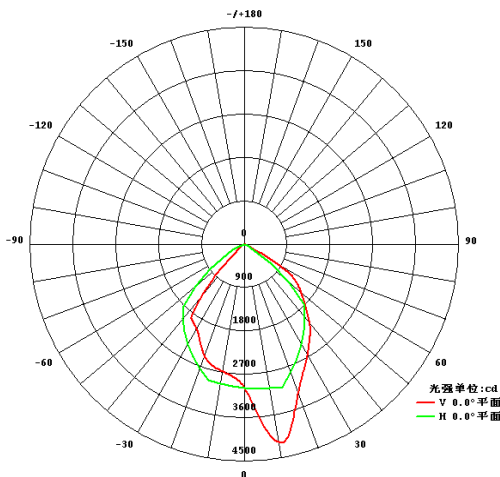
HT-FL-A70W 70W LED FLOOD LIGHT

Technical Specifications:

model	LED Type	LED Q'ty (pcs)	Color	Voltage (V)	Beam Angle	Wattage (W)	Luminosity (lm)	CRI(Ra)	IP Rate	Infrared Sensor
HT-FL-A70W	COB	2	CW	90~130 Or 180~260	120° /60°	20±1.0	6450	75	IP65	Optional
	COB	2	WW	90~130 Or 180~260	120° /60°	20±1.0	5920	75	IP65	Optional

Remark:

1. Color Specification: CW: Cool white 5500-6500K, WW: Warm white 3000-3500K;
2. Luminosity is based on the condition of Ta<25°C with the tolerance of ±15%.

Product Photo and Drawing:

Optical Parameters (120° type)


Distance(m)	Avg./Max. E(lux)	Diameter(m)
1	609.8/3978LX	0.346M
2	152.4/994.6LX	0.693M
3	67.75/442.0LX	1.039M
4	38.11/248.7LX	1.385M
5	24.39/159.1LX	1.732M

Application Notice:

1. Working Temperature: -55°C-110°C
2. Storage Temperature: -25°C-65°C
3. Best Working Temperature: 0-40°C

Packing Details:

1. Inner box size: 30.5*27.9*19.5cm
2. Outer ctn size: 57*32.5*43cm
3. Q'ty per ctn: 4pcs
4. G.W per ctn: 18kg

HT-FL-A100W 100W LED FLOOD LIGHT

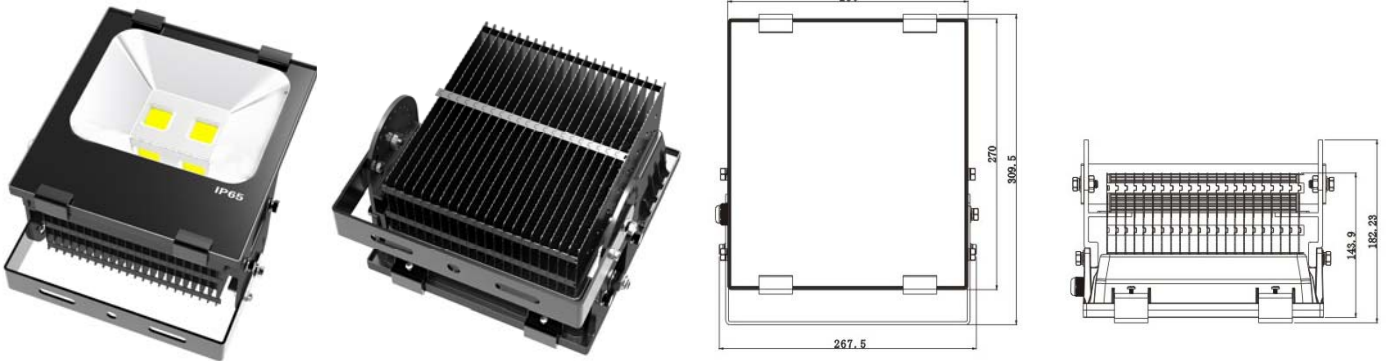
Technical Specifications:

model	LED Type	LED Q'ty (pcs)	Color	Voltage (V)	Beam Angle	Wattage (W)	Luminosity (lm)	CRI(Ra)	IP Rate	Infrared Sensor
HT-FL-A100W	COB	2	CW	90~130 Or 180~260	120° /60°	20±1.0	9530	75	IP65	NO
	COB	2	WW	90~130 Or 180~260	120° /60°	20±1.0	9160	75	IP65	NO

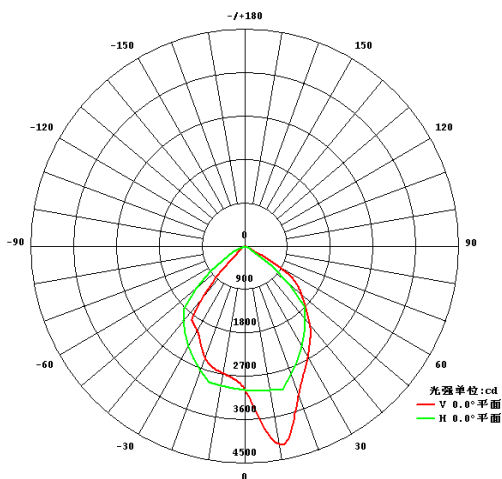
Remark:

1. Color Specification: CW: Cool white 5500-6500K, WW: Warm white 3000-3500K;
2. Luminosity is based on the condition of Ta<25°C with the tolerance of ±15%.

Product Photo and Drawing:



Optical Parameters (120° type)



Distance(m)	Avg./Max. E(lux)	Diameter(m)
1	829.7/5691LX	0.346M
2	207.4/1423LX	0.693M
3	92.19/632.4LX	1.039M
4	51.86/355.7LX	1.385M
5	33.19/227.7LX	1.732M

Application Notice:

1. Working Temperature: -55°C-110°C
2. Storage Temperature: -25°C-65°C
3. Best Working Temperature: 0-40°C

Packing Details:

1. Outer ctn size: 51*40.5*38cm
2. Q'ty per ctn: 1pcs
3. G.W per ctn: 8kg

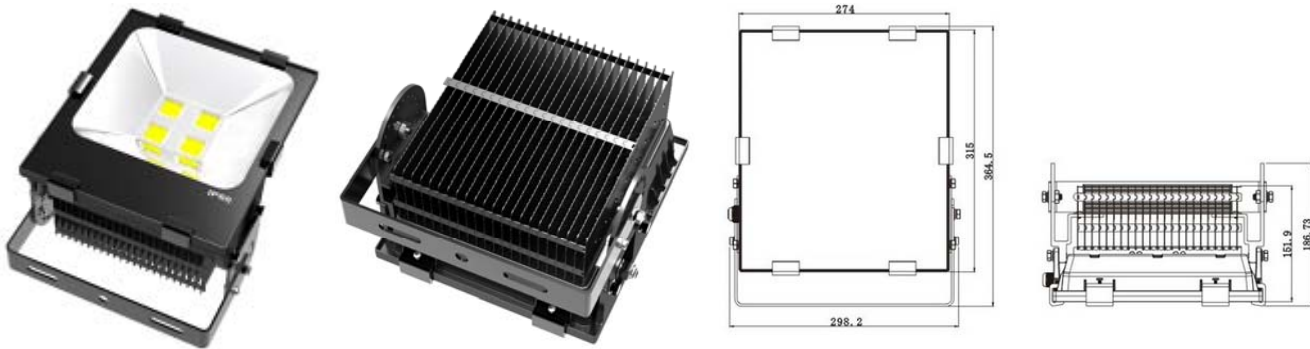
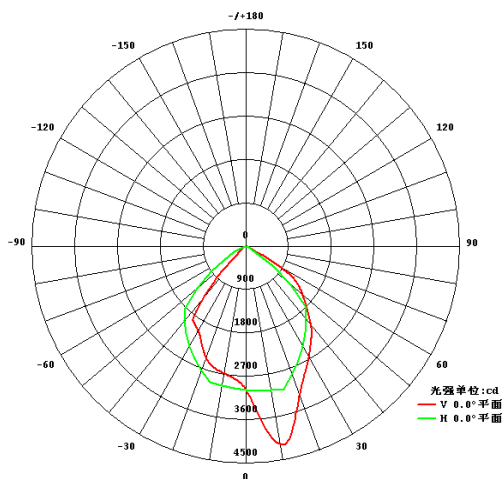
HT-FL-A150W 150W LED FLOOD LIGHT

Technical Specifications:

model	LED Type	LED Q'ty (pcs)	Color	Voltage (V)	Beam Angle	Wattage (W)	Luminosity (lm)	CRI(Ra)	IP Rate	Infrared Sensor
HT-FL-A150W	COB	4	CW	90~130 Or 180~260	120° /60°	20±1.0	13,500LM±10%	75	IP65	NO
	COB	4	WW	90~130 Or 180~260	120° /60°	20±1.0	12,500LM±10%	75	IP65	NO

Remark:

- Color Specification: CW: Cool white 5500-6500K, WW: Warm white 3000-3500K;
- Luminosity is based on the condition of $T_a < 25^\circ\text{C}$ with the tolerance of $\pm 15\%$.

Product Photo and Drawing:

Optical Parameters (120° type)


Distance(m)	Avg./Max. E(lux)	Diameter(m)
1	829.7/5691LX	0.346M
2	207.4/1423LX	0.693M
3	92.19/632.4LX	1.039M
4	51.86/355.7LX	1.385M
5	33.19/227.7LX	1.732M

Application Notice:

- Working Temperature: -55°C ~ 110°C
- Storage Temperature: -25°C ~ 65°C
- Best Working Temperature: 0 ~ 40°C

Packing Details:

- Outer ctn size: 42*38*26cm
- Q'ty per ctn: 1pcs
- G.W per ctn: 9kg

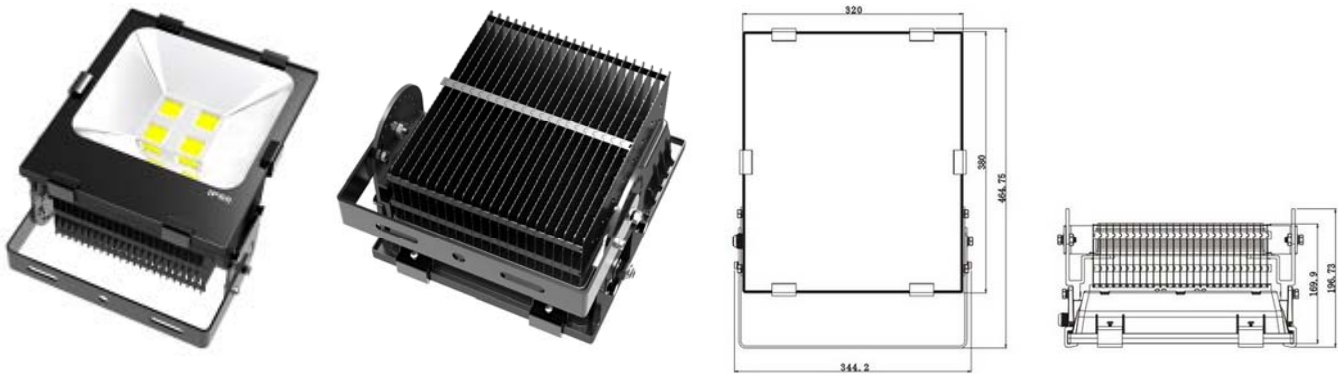
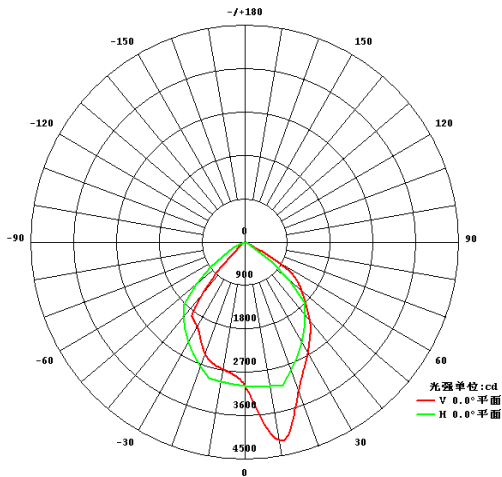
HT-FL-A200W 200W LED FLOOD LIGHT

Technical Specifications:

model	LED Type	LED Q'ty (pcs)	Color	Voltage (V)	Beam Angle	Wattage (W)	Luminosity (lm)	CRI(Ra)	IP Rate	Infrared Sensor
HT-FL-A200W	COB	4	CW	90~130 Or 180~260	120° /60°	20±1.0	18,000LM±10%	75	IP65	NO
	COB	4	WW	90~130 Or 180~260	120° /60°	20±1.0	17,200LM±10%	75	IP65	NO

Remark:

1. Color Specification: CW: Cool white 5500-6500K, WW: Warm white 3000-3500K;
2. Luminosity is based on the condition of Ta<25°C with the tolerance of ±15%.

Product Photo and Drawing:

Optical Parameters (120° type)


Distance(m)	Avg./Max. E(lux)	Diameter(m)
1	829.7/5691LX	0.346M
2	207.4/1423LX	0.693M
3	92.19/632.4LX	1.039M
4	51.86/355.7LX	1.385M
5	33.19/227.7LX	1.732M

Application Notice:

1. Working Temperature: -55°C-110°C
2. Storage Temperature: -25°C-65°C
3. Best Working Temperature: 0-40°C

Packing Details:

1. Outer ctn size: 50*44*28cm
2. Q'ty per ctn: 1pcs
3. G.W per ctn: 10kg